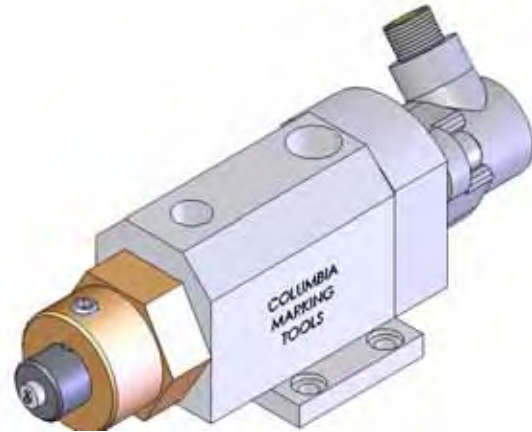


## Model 78: Mite-E-Mark™ Double Acting Air Impact Marker

**Model 78:** This air operated marking tool offers 18 times the force of an air cylinder with the same bore. Compact construction allows this marker to be installed in limited space.

- 2 basic styles include Standard or Submersible models Submersible models are specially coated in a non-corrosive material for additional protection.
- Foot or Rear mounting styles
- The Keyed rod is to maintain character orientation, and the non-keyed rod allows the characters to rotate and is a smaller unit
- 4 Different rod styles to hold the stamps offer multi-character square "A" pockets, and single character round "B" pockets, in addition to "O" style set screw retention, and "G" style pin/o-ring retention. The "G" style rod is recommended for systems susceptible to vibrations



- 2 different cylinder approach strokes: 1" and 2"
- Integrated position sensors offer the added benefit to integrators
- Standard system requires lubricated air. The NL non-lube version is required for "dry" air.

### Model 78 How to Order

**To Order:** Select only the symbols that represent the marker feature that is needed. Place that symbol in the sequence as shown.

| FEATURE                  | SYM.  | EXAMPLE       |
|--------------------------|-------|---------------|
| Standard Model           | 78    | -78FK-OA-20-E |
| Submersible Model        | 78SUB |               |
| Foot Mount               | F     |               |
| Rear Mount               | R     |               |
| Non-Keyed Rod (rotating) | N     |               |
| Keyed Rod (non-rotating) | K     |               |
| Rod Style "A"            | OA    |               |
| Rod Style "B"            | OB    |               |
| Rod Style "GA"           | GA    |               |
| Rod Style "GB"           | GB    |               |
| Stroke Length 1"         | 10    |               |
| Stroke Length 2"         | 20    |               |
| 24VDC Position Sensor    | E     |               |
| 110VAC Position Sensor   | P     |               |
| Non-Lube* (if required)  | NL    | -----         |

\*Permanently lubricated marker for low maintenance requirements

E= 24V DC, PNP sourcing Euro connector

P= 110v, Mini connector

**Recommended Air Hose:** ¼" I.D. Minimum  
**Recommended Air Valve:** CMT TP valve or ¼" 4-way  
**Operating pressure:** 20-80psi

**Max. Marking Pressure:** 1500lbs (at 80psi) for 1" stroke and 2200 lbs (at 80psi) for 2" stroke

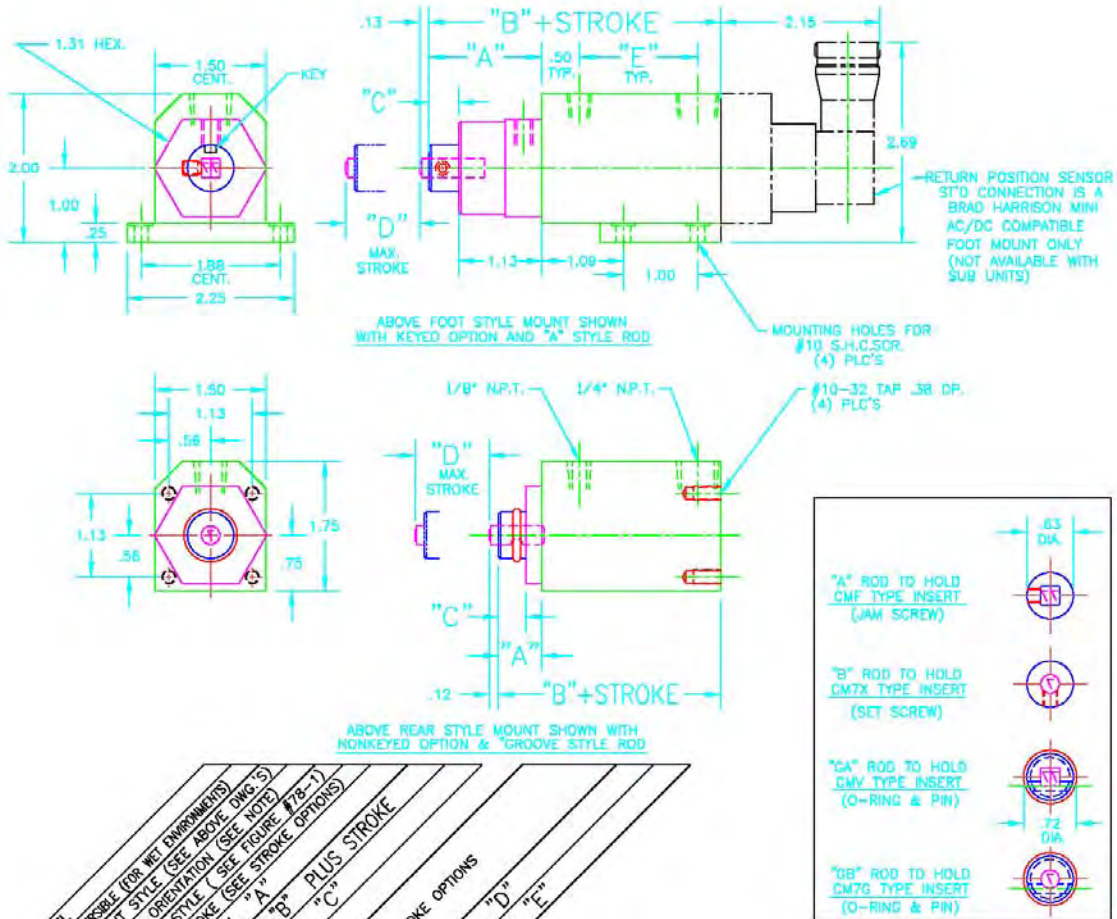
**Stamp Capacities Rod Style "B" (1) Pc.** CM7X Stamp Insert. CM7X inserts can mark up to a 3/16" character.

**Stamp Capacities Rod Style "A"**  
(4) Pc's 1/16" Char. CMF06 Stamp Inserts  
(2) Pc's 1/8" Char. CMF13 Stamp Inserts

**Stamp Capacities Rod Style "GB"**  
(1) Pc. CM7G Stamp Insert. CM7G inserts can mark up to a 3/16" character.

**Stamp Capacities Rod Style "GA"**  
(4) Pc's 1/16" Char. CMV06 Stamp Inserts  
(2) Pc's 1/8" Char. CMV13 Stamp Insert

### Model 78 Dimensions



| MODEL | SURFERSHOLE (FOR WET ENVIRONMENTS) | MOUNT STYLE (SEE ABOVE DIMG'S) | ROD ORIENTATION (SEE NOTE) | *ROD STYLE (SEE FIGURE #78-1) | *STROKE (SEE STROKE OPTIONS) | DIM. "A" | DIM. "B" PLUS STROKE | DIM. "C" | STROKE OPTIONS | DIM. "D" | DIM. "E" |
|-------|------------------------------------|--------------------------------|----------------------------|-------------------------------|------------------------------|----------|----------------------|----------|----------------|----------|----------|
| 78    | F N                                | DA                             | *                          | .59                           | 2.00                         | .38      | 1" STROKE            | .94      | 1.59           |          |          |
| 78    | F N                                | DB                             | *                          | .59                           | 2.00                         | .38      | 2" STROKE            | 1.94     | 2.59           |          |          |
| 78    | F N                                | GA                             | *                          | .59                           | 2.00                         | .38      |                      |          |                |          |          |
| 78    | F N                                | GB                             | *                          | .59                           | 2.00                         | .38      |                      |          |                |          |          |
| 78    | F K                                | DA                             | *                          | 1.53                          | 2.94                         | .41      |                      |          |                |          |          |
| 78    | F K                                | DB                             | *                          | 1.53                          | 2.94                         | .41      |                      |          |                |          |          |
| 78    | F K                                | GA                             | *                          | 1.53                          | 2.94                         | .41      |                      |          |                |          |          |
| 78    | F K                                | GB                             | *                          | 1.53                          | 2.94                         | .41      |                      |          |                |          |          |
| 78    | R N                                | DA                             | *                          | .59                           | 2.00                         | .38      |                      |          |                |          |          |
| 78    | R N                                | DB                             | *                          | .59                           | 2.00                         | .38      |                      |          |                |          |          |
| 78    | R N                                | GA                             | *                          | .59                           | 2.00                         | .38      |                      |          |                |          |          |
| 78    | R N                                | GB                             | *                          | .59                           | 2.00                         | .38      |                      |          |                |          |          |
| 78    | R K                                | DA                             | *                          | 1.53                          | 2.94                         | .41      |                      |          |                |          |          |
| 78    | R K                                | DB                             | *                          | 1.53                          | 2.94                         | .41      |                      |          |                |          |          |
| 78    | R K                                | GA                             | *                          | 1.53                          | 2.94                         | .41      |                      |          |                |          |          |
| 78    | R K                                | GB                             | *                          | 1.53                          | 2.94                         | .41      |                      |          |                |          |          |

\*NOTE: ROD ORIENTATION  
OPTION "K" IS KEYED AS SHOWN, AND WILL NOT ROTATE. FOR APPLICATIONS WHEN OTHER THAN SHOWN ORIENTATION OF MARK IS NEEDED CONSULT FACTORY.  
OPTION "N" IS NON-KEYED AND WILL ROTATE. FOR APPLICATIONS WHEN CONSTANT ORIENTATION OF MARK IS NOT REQUIRED.

### Typical Application for Model 78

