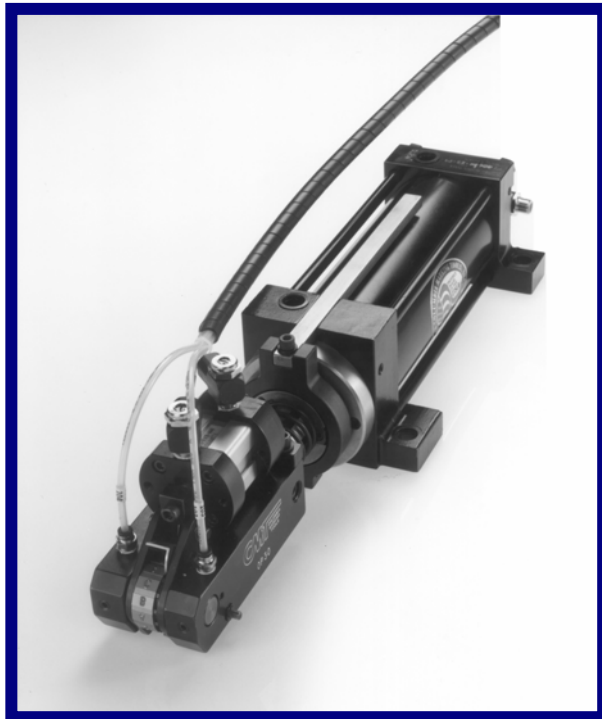


Slide-A-Mark Series Double Acting Air Impact Marker Systems

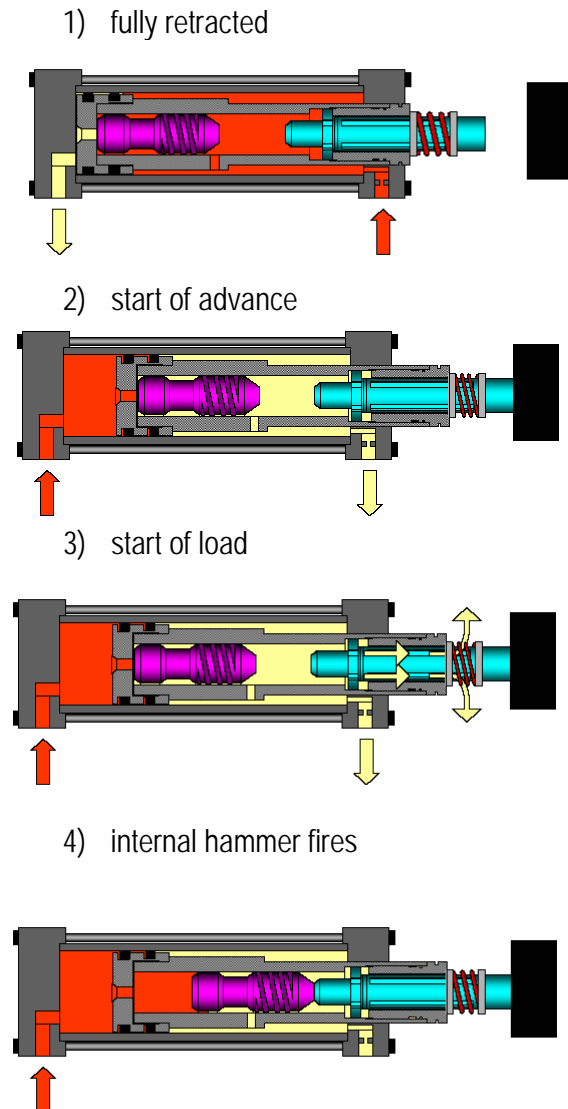
SLIDE-A-MARK 6 ton to 10 ton: The Columbia SLIDE-A-MARK series heavy duty marking cylinders offer a patented soft-impact marking action and low noise level, making it ideal for mounting into existing automation. The SLIDE-A-MARK eliminates costly approach slides for reaching into parts or fixturing which contain clearance issues.

- The telescoping action of the Slide-A-Mark series makes this marker ideal for the use of stamp holders for extended marking legends, and numbering heads. CMT "Select" series of numbering heads makes random machines codes possible.



- By loosening the collar clamp the on the rod, radial rod orientation adjustment becomes infinite.

The SLIDE-A-MARK operates as follows:

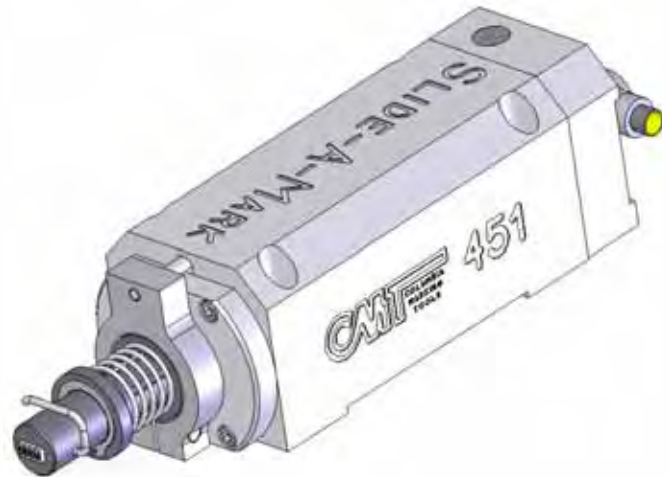


- Because the air hammer is internal, the Slide-A-Mark offers the same marking forces anywhere from 1/2" to the end of it's stroke length. When marking parts of various sizes, the mark will remain similar in depth.

Slide-A-Mark™ Model 451 – Compact and Reduced Sound

Model 451 4-TON: This model is the smallest of Slide-A-Mark series. The solid cast iron construction contributes to the quiet marking capabilities of this system. The Slide-A-Mark feature acts as a self clamping device, and allows for minimal fixturing. Radial rod orientation becomes infinite by loosening the front collar clamp on the rod.

- 3 Standard rod styles to hold the stamps offer multi-character OA or OAS63, and single character OB
- 2 different approach strokes: 2 ½" and 4 ½"
- Integrated position sensors offer the added benefit to integrators
- This marker comes standard in the non-lube version for use with "dry" filtered air.



Model 451 How To Order

To Order: Select only the symbols that represent the marker feature that is needed. Place that symbol in the sequence as shown.

FEATURE	SYM.	EXAMPLE
451 Compact – Quiet 4	451	451-OA-45-E
Rod Style "B" single character	OB	
Rod Style "A" multi-character	OA	
Rod Style "AS63" multi-character	OAS63	
Stroke 2.5"	25	
Stroke 4.5"	45	
Standard	00	
24VDC Position Sensor	E	
110VAC Position Sensor	P	
Standard Non-Lube*		

*Permanently lubricated marker for low maintenance requirements

E= 24V DC, PNP sourcing Euro connector

P= 110v, Mini connector

Recommended Air Hose: 3/8" I.D. minimum

Recommended Air Valve: 3/8" 4-way solenoid valve

Operating Pressure: 20 to 80psi

Max. Marking Pressure: 8000lbs (at 80psi)

Stamp Capacities Rod Style "B"
(1) Pc CM9X round insert 1/16" to 1/4" character. Multi-character insert available for smaller character sizes.

Stamp Capacities Rod Style "A"
(8) Pc's 1/16" Char. CMG06 Stamp Inserts

(4) Pc's 1/8" Char. CMG13 Stamp Inserts

Stamp Capacities Rod Style "AS63"

(10) Pc's 1/16" Char. CMG06 Stamp Inserts

(5) Pc's 1/8" Char. CMG13 Stamp Inserts



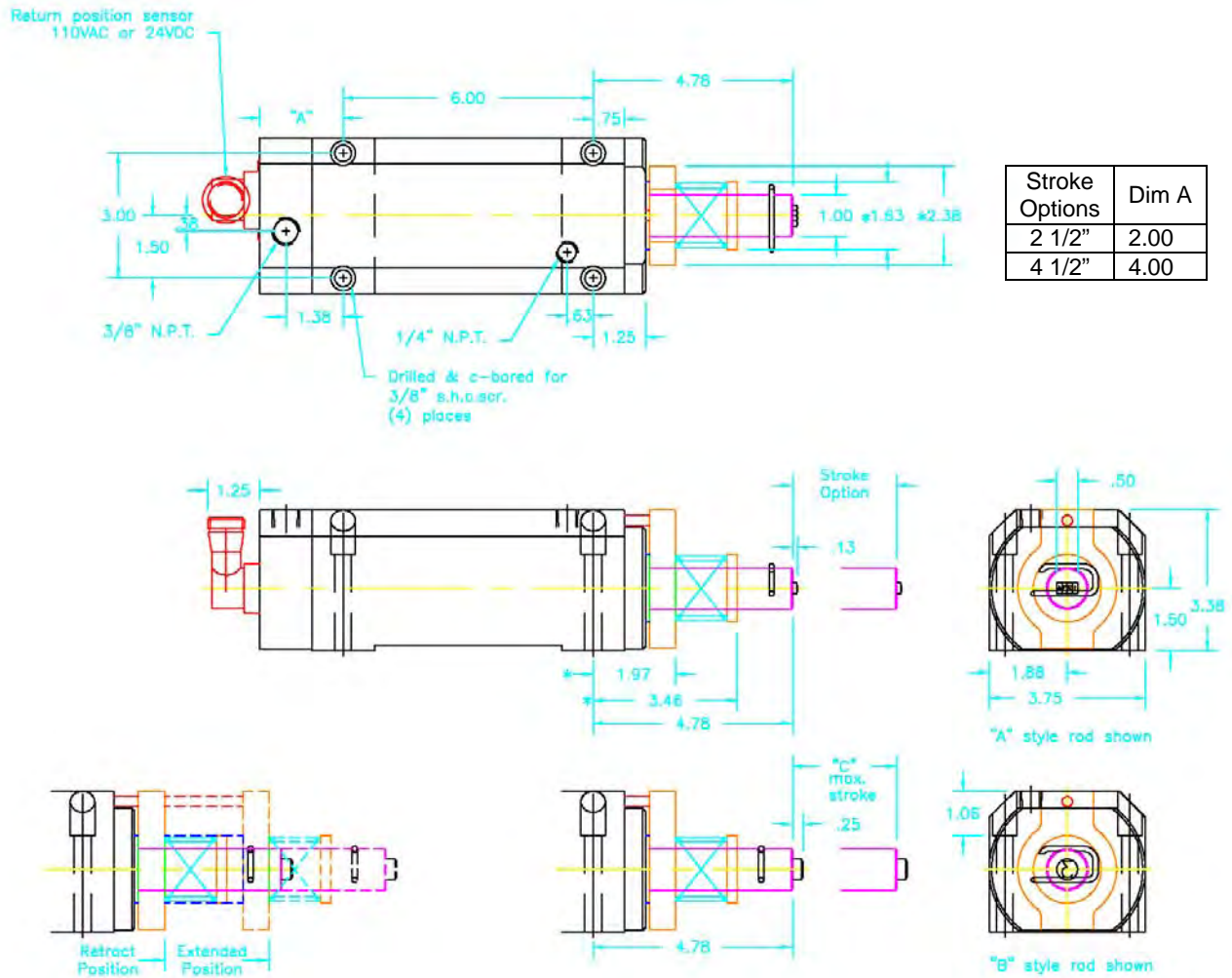
Rod Style B



Rod Style A

The model 451 offers a "quieter" impact marking operation. The preload feature, along with the solid construction, reduces sounds.

Model 451 Dimensions



- By loosening the collar clamp on the rod, radial rod orientation adjustment becomes infinite.
- OAS style rod is similar to OA style rod, with wider 5/8" pocket
- Standard holders, numbering heads, and Anvils mount on rod style H

